

LZ-NET Series



- **Category IEC / EN:** C1/C2/C3 (see Technical data)
- **Protection:** All 4 pairs protected
- **Nominal operating voltage:** U_n : 5, 48V_{DC}
- **Max. operating voltage:** U_c : 6, 58V_{DC}
- **Frequency range:** < 100MHz, Cat 5 capable
- **Surge Discharge Rating:** I_n up to 300A per line
- **Enclosure:** UTB in-line patch
- **Housing:** Compact design
- **Termination:** RJ45, Cat 5 connectors
- **Complies with:** IEC/EN 61643-21



The LZ-NET series is intended to protect Local Area Networks (LAN) from overvoltage surges and electrostatic discharges created by switching transients in buildings. LAN systems are particularly prone to such disturbances because of the often long cable lengths involved which behave like antennas to such atmospheric disturbances.

It provides protection to all 4 lines in the UTP, and is Cat 5 capable. Ground potential equalization between signal and protective (network or PC chassis) ground is provided. PoE version (LZ-NET PoE) is designed to fulfil all versions of PoE applications compatible with standards IEEE 802.3af and IEEE 802.3at.

Technical data

Type	LZ-NET	LZ-NET PoE	LZ-NET STP
IEC/EN category	C1/C2/C3	C1/C3	C1/C2/C3
Electrical characteristics			
Number of protected pairs		4	
Nominal operating voltage (DC) U_n	5V	48V	5V
Max. continuous operating voltage (DC) U_c	6V	58V	6V
Nominal discharge current (8/20 μ s) I_n	(line-line)	300A	300A
	(lines-PG)	1kA	1kA
Voltage protection level at I_n U_p	(line-line)	35V	35V
	(line-PG)	350V	350V
Response time of overvoltage protection t_A		< 1ns	
Limit frequency f_G		< 100MHz	
Mechanical characteristics			
Connection		Input/Output: RJ45 sockets	
Temperature range		-40°C ... +80°C	
Degree of protection IEC/EN 60529		IP 20	
Housing material		Thermoplastic; grey, extinguishing degree V-0	

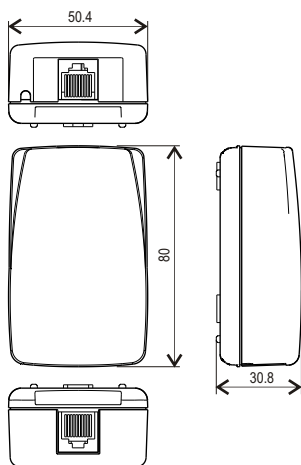
Ordering information

	LZ-NET	LZ-NET PoE	LZ-NET STP
Ordering code LZ-NET xxx	7060.01	7060.02	7060.11

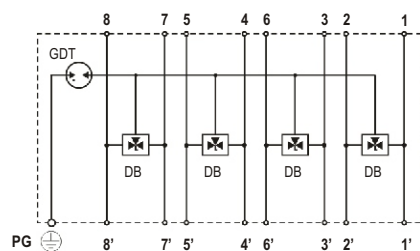
Dimensions, Internal configuration, Weight and Packaging

LZ-NET Series

Dimensions



Internal configuration



LZ-NET	PoE	STP
Weight per unit	56g	56g
Packaging dimensions (single unit)	55 x 50 x 106mm	
Min. packaging quantity	12 pcs.	

- Legend:
 GDT *gas discharge tube*
 DB *diode block*
 PG *protective grounding*

